



# Sinewaves



## STONEWALL JACKSON AMATEUR RADIO ASSOCIATION

Meetings: 3<sup>rd</sup> Thursday of each month, 1930 hrs at Saint Marks Lutheran Church RT19/98 Clarksburg  
SJARA Tuesday Night Net

This net meets each Tuesday evening at 2100 hours utilizing the N8FMD Repeater on  
147.210 Mhz with PL Tone of 103.5

November 14, 2011

<u>Net Control</u>	<u>Date</u>
1. K8TPH.....	October 24,2011
2. K8WWW.....	November 1, 2011
3. WD8NSC.....	November 8, 2011
4. K8TPH.....	November 15, 2011

### Meeting Minutes October 20, 2011

The SJARA meeting was called to order at 1930, by the Secretary N8YPE at the St Marks Lutheran Church, due to absence of the president and vice president.. Minutes were accepted as read. The Treasurer's report was read by K8TPH with a balance of 1215.81

Old Business: The present officers, President KD8FDD Jason, VP N8FWD Mike, Sec. N8YPE, Treas, K8TPH , Trustee NW8U John, and KD8ABS were nominated for 2012. K8FXH Hal was nominated to replace KB8WSR Tom who is unable to serve.

New Business: There was no new business.

Net Controls were assigned for next month and the meeting was adjourned by the Secretary N8YPE.



### Metamaterial wireless antenna

**Fractal Antenna Systems, Inc.** today disclosed a patent filing for a novel approach to better wireless antennas . Called 'fractal plasmonic surfaces' (FPS), the new antenna technology promises to provide wideband ability at low cost along with other unique features.

The technology exploits the use of fractals, intricate geometric figures made from scaling and applying a simple pattern.

The fractals are placed closely making a doily-like surface layer in a unique antenna method. This system is a 'metamaterial' with electromagnetic attributes unattainable by other means.

Metamaterials are much smaller than the wavelength of the electromagnetic waves propagating through the material, typically on the order of 1/10th the wavelength's size. The

metamaterial antennas in Netgear's new products are made from unaltered FR-4 printed circuit board material and copper etch, which explains why they didn't look exotic or unusual



Monopole antenna



### Amateur in US

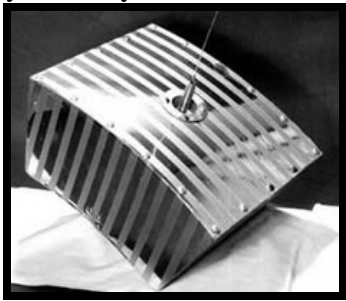
**U.S. Ham Population Tops 700,000 for First Time** - As of September 30, 2011, the total number of FCC amateur licenses was 700,221.



### Oscar-1

**Ham Radio Satellite Milestones** - December marks the 50th anniversary of the launch of OSCAR-1. In addition, October marked the 30th anniversary of the launch of UoSat-1 (UO-9), which laid the technical foundation for

many of today's satellites.



### QSL

**U.S. Postal Rates Increasing on January 22** - The cost of a first-class stamp will increase to 45 cents, as of January 22, 2012. Postcard rates will go up to 32 cents. International mailing rates will rise as well.

### SOS

#### 500 kHz

While stationed on Adak Island, Alaska I manned a CW Naval circuit with the Fishing Fleet in the Northern Pacific Ocean. The Fishing fleet (mostly Japanese) would call Adak on 500 kHz and then the Adak operator would QSY to 468 kHz or 478 kHz and take the weather reports. Now since that type weather reporting is a thing of the past there is no longer a need to use this system for reporting Weather or for calling SOS for assistance.

**Ham Band at 500 kHz a Step Closer** - A key committee of the Council of European Post and Telecommunications authorities (CEPT) approved a draft proposal for a secondary amateur allocation between 472 and 480 kHz.

### Ham is a Victim in California Shooting

SEAL BEACH, Calif. — A

gunman opened fire Wednesday in a busy hair salon, killing eight people and critically wounding another while leaving bodies scattered throughout the business in a normally sedate Southern California beach community.

The gunman got into a car and drove away from Salon Meritage after opening fire about 1:30 p.m. He was stopped by officers about a half-mile away and surrendered without incident while saying he had multiple weapons with him, police Sgt. Steve Bowles said. David Caouette, N6DAC, was one of the eight people killed in a widely-reported shooting spree at a Seal Beach, California, beauty salon on October 12.



N6DAC

### Speaking Part

- \* A little boy in about 4th or 5th grade was trying out for a school play.
- \* He earned a part and went home to tell his father.
- \* His father was really proud of him. So his father asks what part did you get?
- \* He replies I got the part of a man who has been married for 25 years.
- \* His father congratulated him. And then he said "That's good son, maybe next time you'll get a speaking role!"

### Information Needed

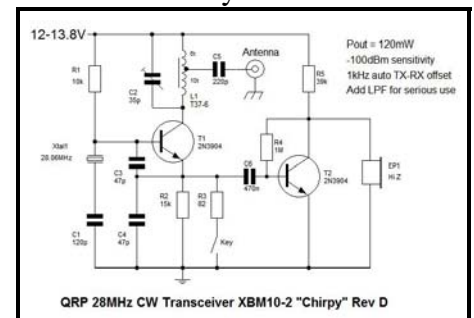
On October 25<sup>th</sup> while updating the SJARA website with the Tuesday Night Net check-ins I was monitoring the 147.210 MHz N8FMD repeater and I heard the following: **"F11B this is F11C are you there? F11B the is Jim F11C."** Does anyone know just who these violators are or why are they on the repeater? These seem like someone that does have a knowledge of communication procedure, not like the "Bear Hunters" that yell, use profanity and have no knowledge of how to talk let alone communicate.

### 10Meters CW

Since it has been predicted that we are going to have a long cold winter then this might be a good project to undertake. It is predicted that 10 meters will continue to be good through the winter months into 2012.

Try building a CW transmitter just to play with. It is a great feeling to make a contact with less than 1 Watt on the HF bands.

In 1959 I worked around the world on CW with only 500mw.



Full details can be found at:

The circuit diagram of Chirpy is at [https://sites.google.com/site/g3xbmqrp/Home/xbm10\\_2](https://sites.google.com/site/g3xbmqrp/Home/xbm10_2)

## Local Activity

It is really distressing to see Ham Radio decline to the level that is happening especially on local 2 mtr repeaters. Some of the local repeaters seem to have some activity but overall it has become just a drop in the bucket. I try to key up and identify myself every time I am out in my car. I usually try 146.685 first then 14.210 and 147.165 being three local repeaters and if I don't hear anyone I will go through about 4 or 5 repeater frequencies I have stored in my mobile rig. I very seldom ever get a response. Back in the early 90s when I was on the road a lot, there was never a time during the day you couldn't find some on the air just to say hello. Remember that is just about all you have to do. You should never just "chuchunk" the repeater, it is not difficult to just key down, give you call and then listen. If someone is listening they should be thoughtful enough to just key down give their call and say hello, you don't have to get into long QSO's, just a friendly hello is mostly what everyone wants. They also need to know that if help is needed there is someone out there listening.

Nets are another way to participate. There are several nets on different repeaters throughout the week, running from just checking in rag chews, and swap nets. Most are around the 8 to 9 PM time frame. Let's try. If we don't, as in the past, more repeaters will be dropping off the air due to neglect and loss of interest.

Another thing, you should consider finding and joining a club. If there isn't one that suits your needs or fancy then consider starting one yourself with friends or other local hams. I could be just

meeting from time to time at a local coffee shop or fast food restaurant just to talk.

## Need a Volunteer

I was contacted by Ann SCM West Virginia and wanted to know if I could report the results of the Tuesday Night SJARA net to ARRL. That is just one more thing that I just can't find time to do so I am asking if there is a volunteer out there that could do the reporting. All of the information is posted every Tuesday night, usually within 30 minutes of the Net and all a volunteer would have to do is just take the information and forward it to ARRL, the SCM or representative before the 7<sup>th</sup> day of each month for the previous month. Let's see if there is a volunteer out there to help.

## CW Competition

Today, individuals all over the world compete in High Speed Telegraphy (HST) events where they are challenged to correctly receive and copy Morse code transmissions sent at very high speeds, upwards of 300 characters a minute.

International HST competitions are organized under the auspices of the International Amateur Radio Union (IARU). Since 1995, HST World Championships take place each odd-numbered year. The Deutscher Amateur Radio Club (DARC) hosted the Ninth High Speed Telegraphy IARU World Championship in Bielefeld, Germany. The five day event -- held October 19-23, 2011 -- featured 22 nations competing for

the title of Fastest Fist or Quickest Ear. Of the 22 nations represented, the US was the only country from the Western Hemisphere.

According to Barry Kutner, W2UP, HST has long been considered a sport in Europe, especially Eastern Europe, similar to chess or an Olympic sport.

This year, Team USA -- consisting of Kutner, Kennan Low, KE3X, and Kody Low, K3ODY - placed 10th at the Ninth High Speed Telegraphy IARU World Championship in Bielefeld, Germany this past October. Kutner won a gold medal -- the first in HST history to a non-European -- in the pileup competition, and a bronze medal in the RUFZ competition.

## LoTW

Logbook of The World ([LoTW](#)) has been managing to hold its own against the current high volume of incoming logs. An approximate 60 hour processing delay has been maintained for about a week. As of November 9, there are approximately 2.8 million QSOs in the LoTW queue. Many logs are still coming in from the CQ WW and the ARRL Sweepstakes Contests that were held the last two weekends. If you have already uploaded a log, there is no need to upload it again.

## Tax Exempt Status

Received telephone call from Megan Bee IRS advocate located in Parkersburg, WV with the message that she had received a letter from the IRS reinstating the tax exempt of SJARA. The letter is attached. Page #4

INTERNAL REVENUE SERVICE  
P. O. BOX 2508  
CINCINNATI, OH 45201

DEPARTMENT OF THE TREASURY

Date: **OCT 31 2011**

STONEWALL JACKSON AMATEUR RADIO  
ASSOCIATION  
PO BOX 752  
CLARKSBURG, WV 26302

Employer Identification Number:  
31-0888609

DLN:  
17053285369001

Contact Person: JUSTIN R PALMER ID# 31674

Contact Telephone Number:  
(877) 829-5500

Accounting Period Ending:  
December 31

Form 990 Required:

Effective Date of Exemption:  
May 15, 2010

Contribution Deductibility:

**RECEIVED**  
**Internal Revenue Service**

**NOV 02 2011**

**Taxpayer Advocate Service**  
**Parkersburg, W VA**

Addendum Applies:  
No

Dear Applicant:

We are pleased to inform you that upon review of your application for tax-exempt status we have determined that you are exempt from Federal income tax under section 501(c)(7) of the Internal Revenue Code. Because this letter could help resolve any questions regarding your exempt status, you should keep it in your permanent records.

Please see enclosed Publication 4221-NC, Compliance Guide for Tax-Exempt Organizations (Other than 501(c)(3) Public Charities and Private Foundations), for some helpful information about your responsibilities as an exempt organization.

A section 501(c)(7) organization is permitted to receive up to 35 percent of its gross receipts, including investment income, from sources outside of its membership without losing its tax-exempt status. Of the 35 percent, not more than 15 percent of the gross receipts may be derived from the use of the club's facilities or services by the general public. Income in excess of these limits may jeopardize your continued tax-exempt status.

Sincerely,



Lois G. Lerner  
Director, Exempt Organizations

Enclosure: Publication 4221-NC